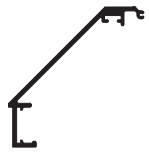




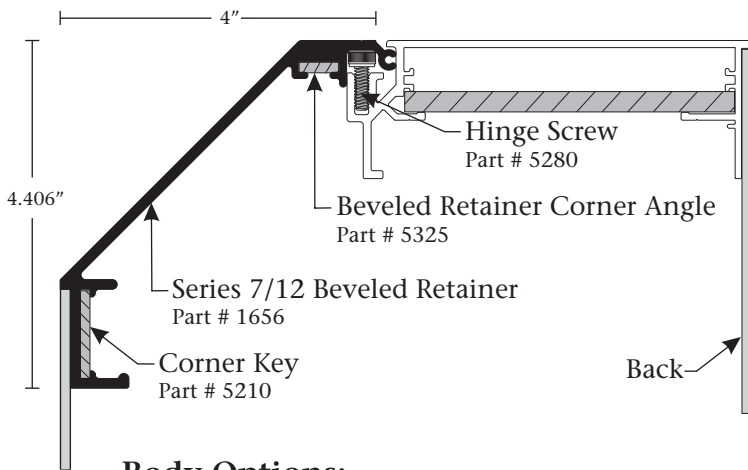
NEW PRODUCT UPDATE:

Series 7/12 Beveled Retainer

June 2013



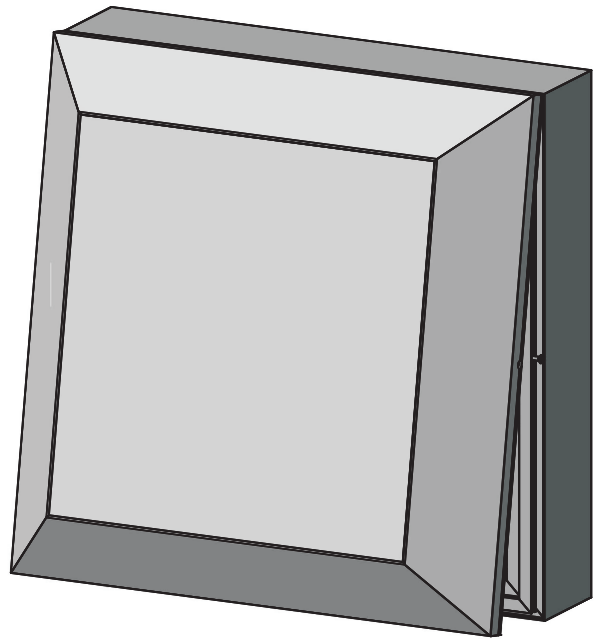
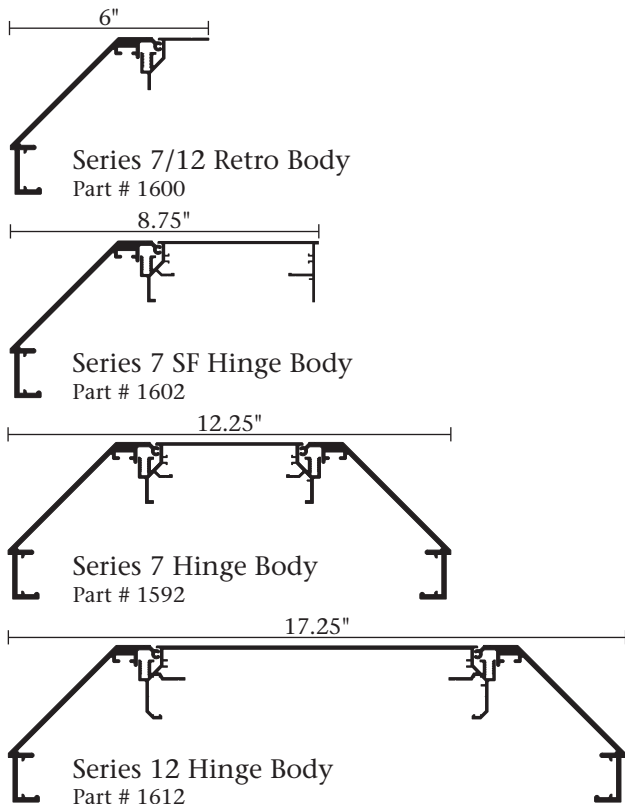
Part Number	Part	Length	Finish
1656	Series 7/12 Beveled Retainer	24'-5"	Mill Finish



Features & Benefits

- Allows for a beveled face appearance.
- Corner key/angle slots provide ease of assembly and added structure.
- Allows for a hingeable face to easily access lamps for service.
- Can be used with all hingeable Architectural bodies.

Body Options:



Shown with Series 7 Single Face Hinge Body
Part # 1602